

# Monitor Suspension Systems



## Through mount system

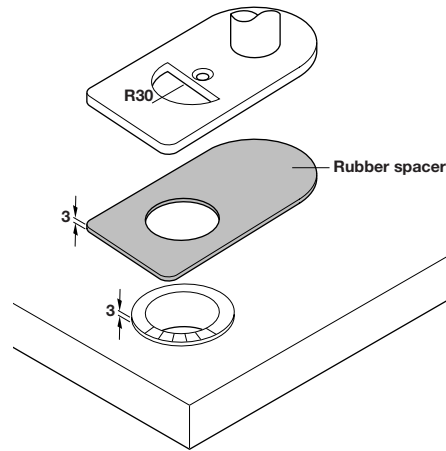
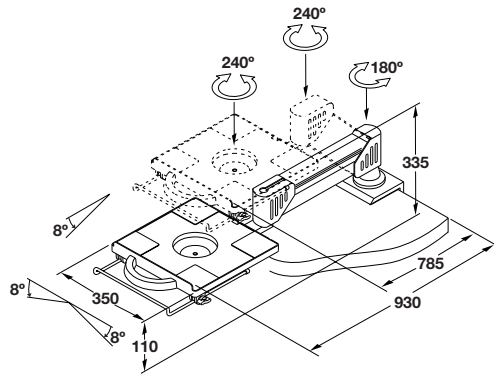
Mounts through Ø60 mm (2 3/8") hole

Weight capacity: **Adjustable from 8-20 kgs. (17-44 lbs)**

Finish: plastic, steel

| Color | Cat. No.   |
|-------|------------|
| black | 632.00.310 |

Packing: 1 pc.



# HÄFELE



Bio-Fix™ products from Häfele.



- Platform size: 350 mm (13 3/4") x 350 mm (13 3/4")
- Flexible internal tube organizes and hides cables
- With handle for easy operation
- Platform swivels 360° and tilts ± 8°
- Chrome keyboard tray extends 275 mm (10 3/4")
- Mounts through Ø60 mm (2 3/8") hole
- Can be mounted over the top of existing Ø60 mm grommet by using included spacer.

**Tables, Legs, Casters,  
Levelers and Office  
Organization**

Dimensional data not binding.  
We reserve the right to alter  
specifications without notice.

Dimensions in mm  
Inches are approximate

TCH 04

**1279**